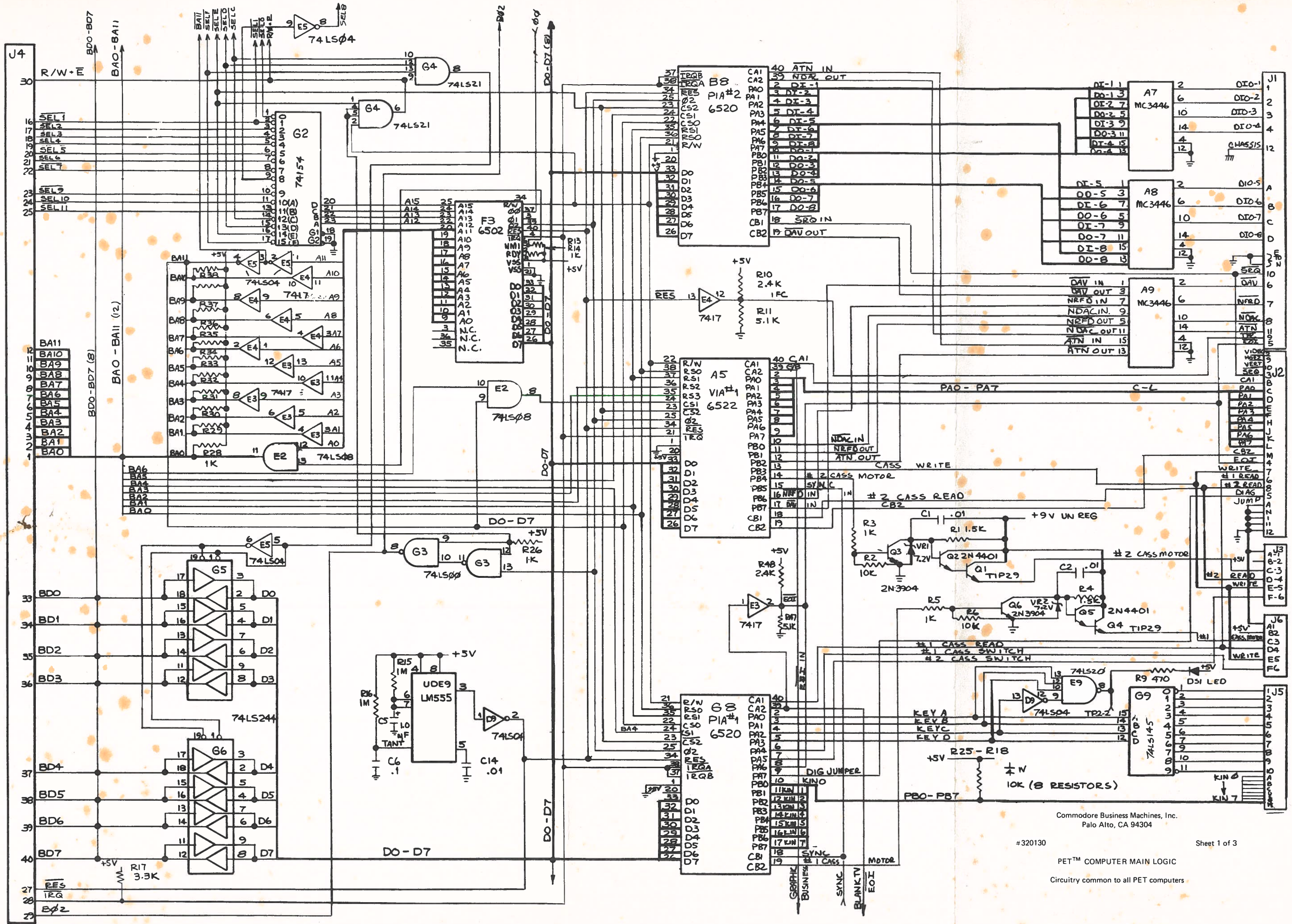


This document is confidential. It contains trade secret information of Commodore Business Machines, Inc., and is loaned under confidential custody for the sole purpose of operating, maintaining and repairing Commodore equipment. Neither this document nor information contained within it may be used or disclosed to anyone, or reproduced for other purposes without the written consent of Commodore Business Machines, Inc.



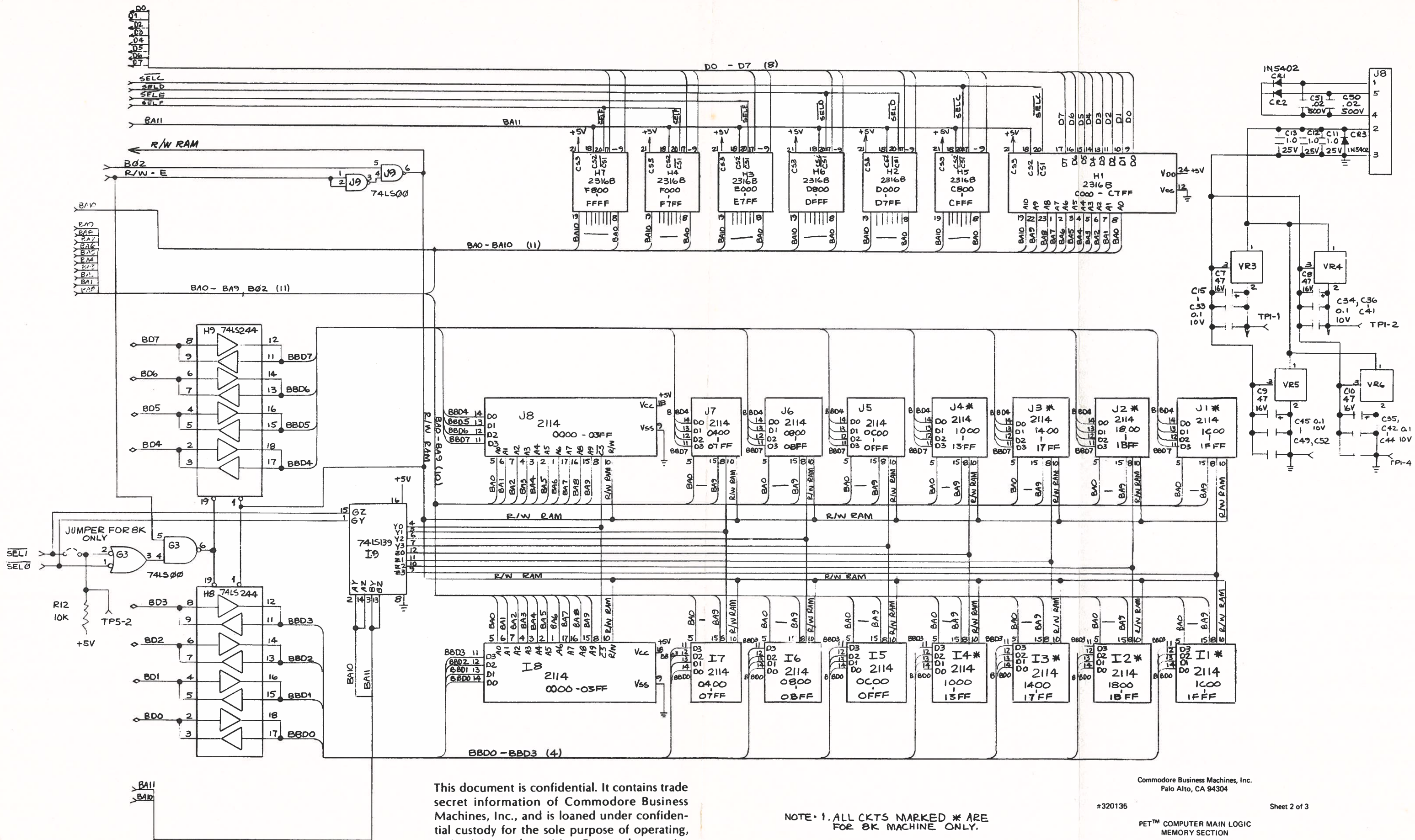
Commodore Business Machines, Inc.
Palo Alto, CA 94304

#320130

Sheet 1 of 3

PET™ COMPUTER MAIN LOGIC

Circuitry common to all PET computers



This document is confidential. It contains trade secret information of Commodore Business Machines, Inc., and is loaned under confidential custody for the sole purpose of operating, maintaining and repairing Commodore equipment. Neither this document nor information contained within it may be used or disclosed to anyone, or reproduced for other purposes without the written consent of Commodore Business Machines, Inc.

NOTE - 1. ALL CKTS MARKED * ARE FOR BK MACHINE ONLY.

Commodore Business Machines, Inc.
Palo Alto, CA 94304

#320135

Sheet 2 of 3

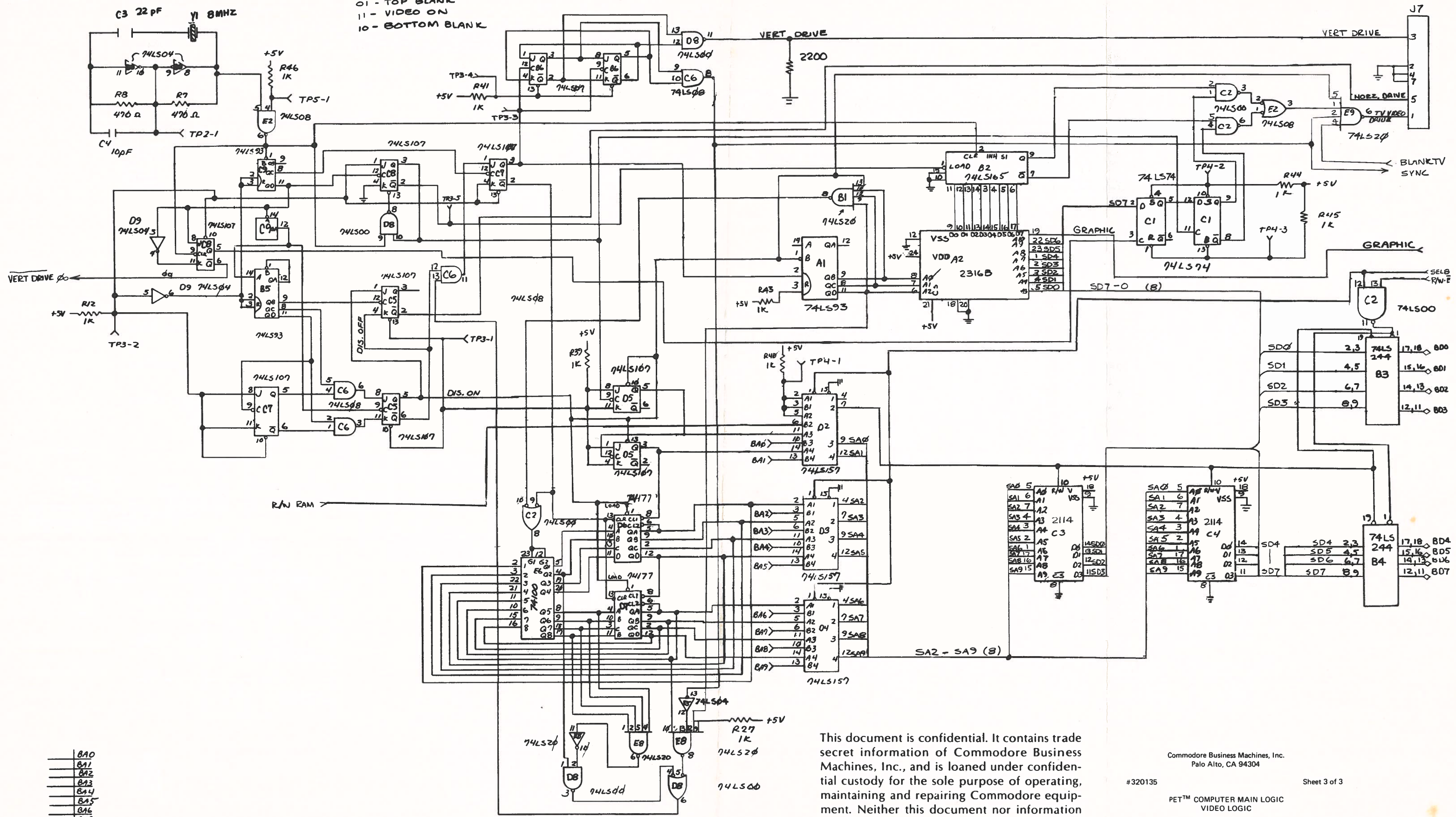
PET™ COMPUTER MAIN LOGIC
MEMORY SECTION

pertaining to board assembly #320137

NOTE: All locations are same on all boards; only the specific components will differ on boards numbered 320132, 320081, 320137, 320008.

The identifying board number is in upper left corner.

00 - VERT DRIVE
 01 - TOP BLANK
 11 - VIDEO ON
 10 - BOTTOM BLANK



- BA0
- BA1
- BA2
- BA3
- BA4
- BA5
- BA6
- BA7
- BA8
- BA9

This document is confidential. It contains trade secret information of Commodore Business Machines, Inc., and is loaned under confidential custody for the sole purpose of operating, maintaining and repairing Commodore equipment. Neither this document nor information contained within it may be used or disclosed to anyone, or reproduced for other purposes without the written consent of Commodore Business Machines, Inc.

Commodore Business Machines, Inc.
 Palo Alto, CA 94304

#320135 Sheet 3 of 3
 PET™ COMPUTER MAIN LOGIC
 VIDEO LOGIC
 pertaining to board assembly #320137

NOTE: All locations are same on all boards; only the specific components will differ on boards numbered 320132, 320081, 320137, 320008.
 The identifying board number is in upper left corner.